

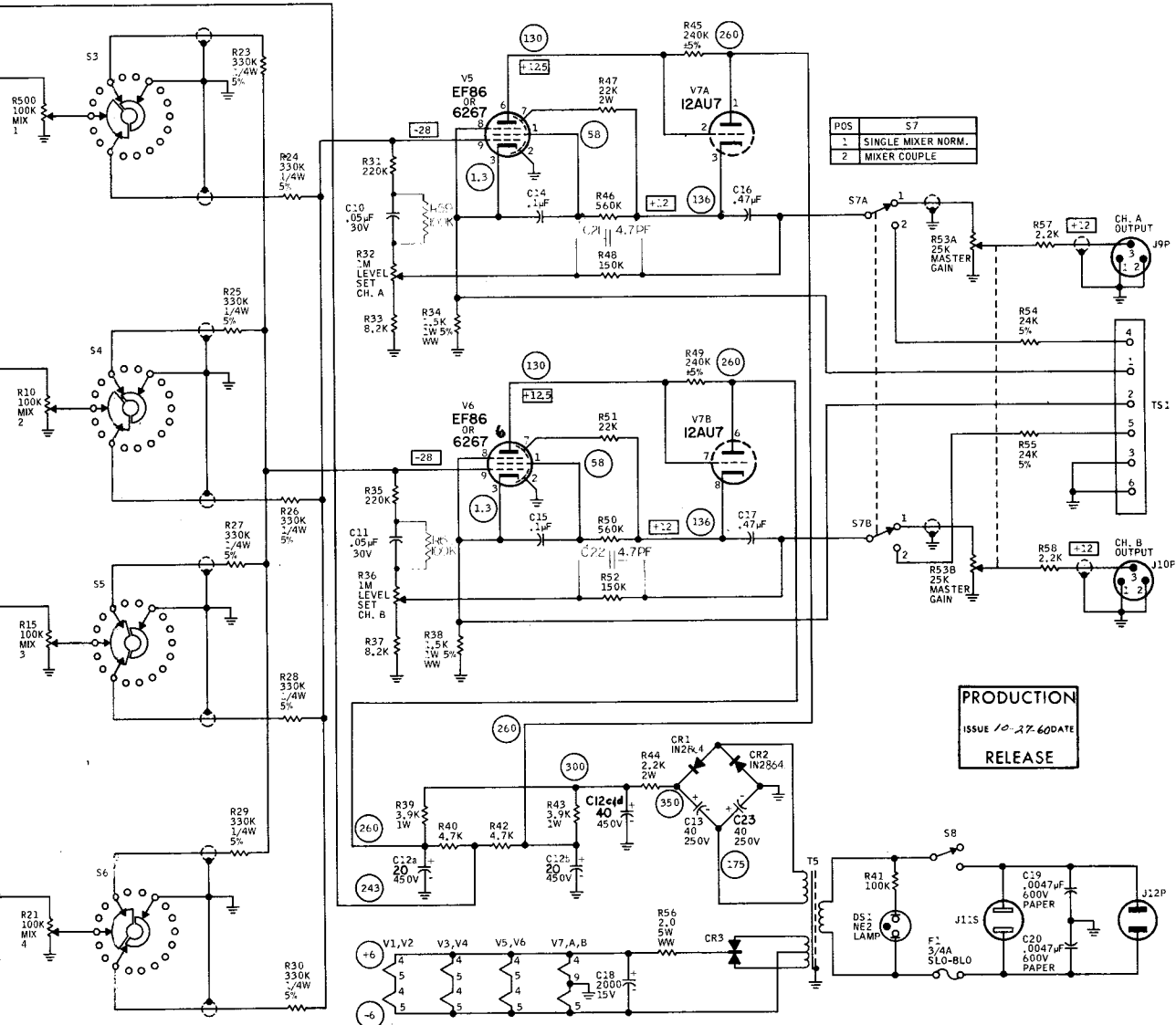
- NOTES**
1. ALL CAPACITORS ARE IN MICROFARADS (μF) 400V, DC UNLESS OTHERWISE NOTED. ALL CAPACITORS BELOW 1.0μF ARE M/LAR FILM UNLESS OTHERWISE NOTED.
 2. ALL RESISTORS ARE IN OHMS, 0.5 WATT ± 0% UNLESS OTHERWISE NOTED.
 3. SWITCHES S3, S4, S5, & S6 ARE CH. A, BOTH, & CH. B. S3 & S4 ARE SHOWN IN "CH. A" POSITION, S5 IS SHOWN IN THE "BOTH" POSITION, & S6 IS SHOWN IN "CH. B" POSITION.
 4. SWITCHES S1 & S2 ARE MIC. OFF, & LINE, AND ARE SHOWN IN MIC POSITION.

LEGEND

○ DC VOLTAGES

□ SIGNAL VOLTAGES, SIGNAL WITH AC VTVM AND EXPRESS 0.78 VOLTS.

SCHEMATIC DIAGRAM



POS	S7
1	SINGLE MIXER NORM.
2	MIXER COUPLE

PRODUCTION
ISSUE 10-27-60 DATE
RELEASE

NOTES

1. ALL CAPACITORS ARE IN MICROFARADS (μF) 400V, DC UNLESS OTHERWISE NOTED. ALL CAPACITORS BELOW 1.0 μF ARE MYLAR FILM UNLESS OTHERWISE NOTED.
2. ALL RESISTORS ARE IN OHMS, 0.5 WATT ±0.5% UNLESS OTHERWISE NOTED.
3. SWITCHES S3, S4, S5, & S6 ARE CH. A, BOTH, & CH. B. S3 & S4 ARE SHOWN IN 'CH. A' POSITION, S5 IS SHOWN IN THE 'BOTH' POSITION, & S6 IS SHOWN IN 'CH. B' POSITION.
4. SWITCHES S1 & S2 ARE MIC, OFF, & LINE, AND ARE SHOWN IN MIC POSITION.

LEGEND

- DC VOLTAGES
- SIGNAL VOLTAGES. SIGNAL VOLTAGES MEASURED WITH AC VTVM AND EXPRESSED IN ± REFERRED TO 0.78 VOLTS.