

Fig. 7-6. Model 602-2 Master Schematic Diagram

- NOTES:
1. RESISTOR VALUES ARE IN OHMS, 10%, 1/2 WATT UNLESS OTHERWISE SPECIFIED.
 2. ALL CAPACITORS ARE IN MICROFARADS, 500 V, 1.0% UNLESS OTHERWISE SPECIFIED.
 3. ALL SIGNAL VOLTAGES MEASURED FROM POINT TO GROUND WITH VTVM HAVING APPROXIMATELY 10 MEG OHM INPUT RESISTANCE.
 4. SIGNAL VOLTAGES MEASURED WITH AC VTVM AND EXPRESSED IN DB REFERRED TO 0.77 VOLTS.

- CIRCUIT CONDITIONS:
1. 500 C-151 PLUG
 2. RECORD LEVEL CONTROLS, REVERSE AND F, SET AT FULL CLOCKWISE POSITION
 3. LINE INPUT SWITCH, SET AT LINE POSITION WITH LINE TRANSPORT CONNECTED TO J.A.
 4. AC C-151 PLUGS MEASURED WITH 1000 OHMS RESISTOR CONNECTED BETWEEN PINS 1 AND 4 OF J.A. AND WITH TUBE V5 REMOVED.
 5. RECORD SELECTOR SWITCH, SET IN RECORD POSITION.

- LEGEND:
1. DC VOLTAGES
 2. SIGNAL VOLTAGES
1. IN DB REFERRED TO 0.77 VOLTS AND WITH OSCILLATOR TUBE REMOVED.

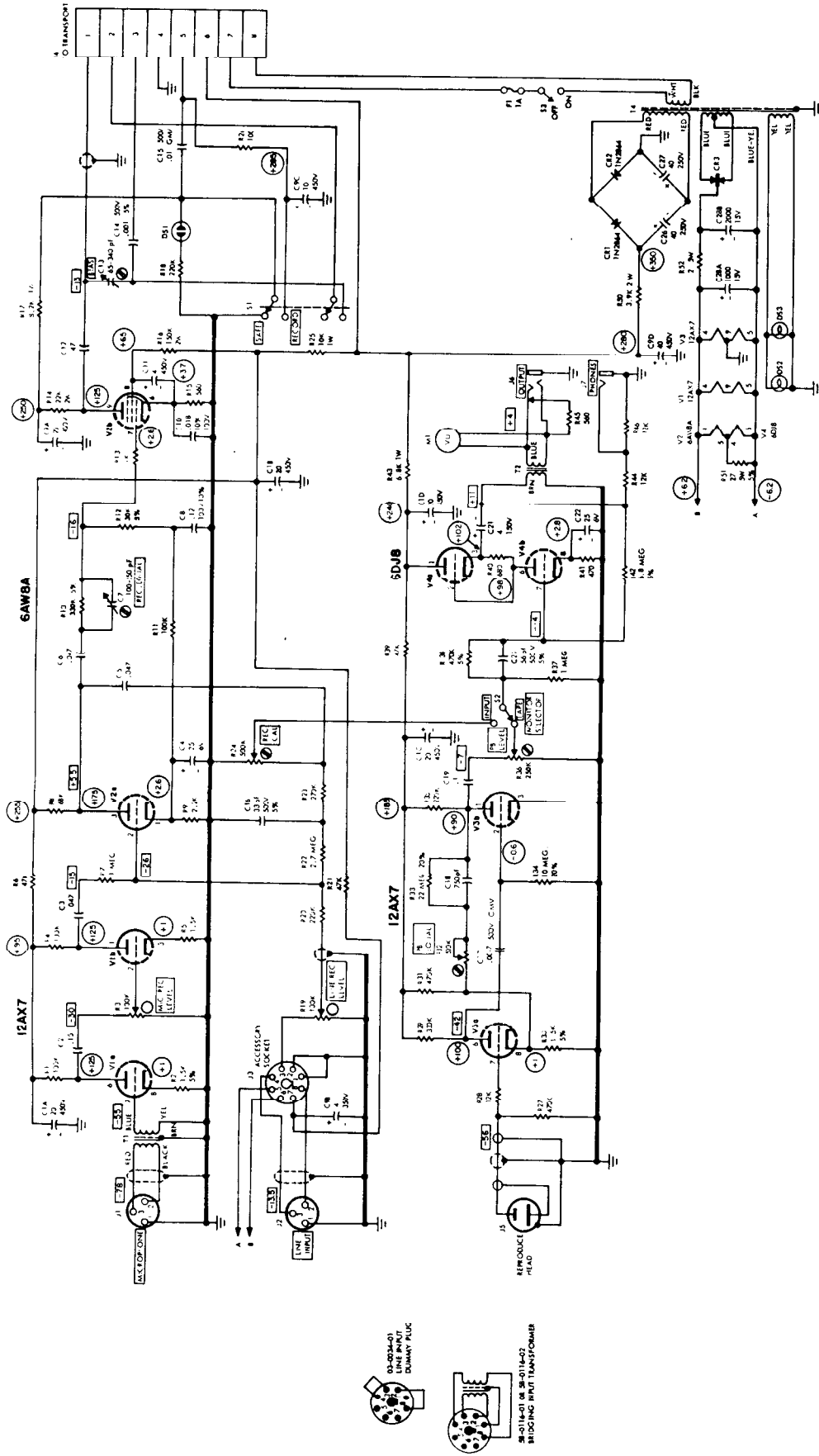


Fig. 7-7. Model 602-2 Slave Schematic Diagram