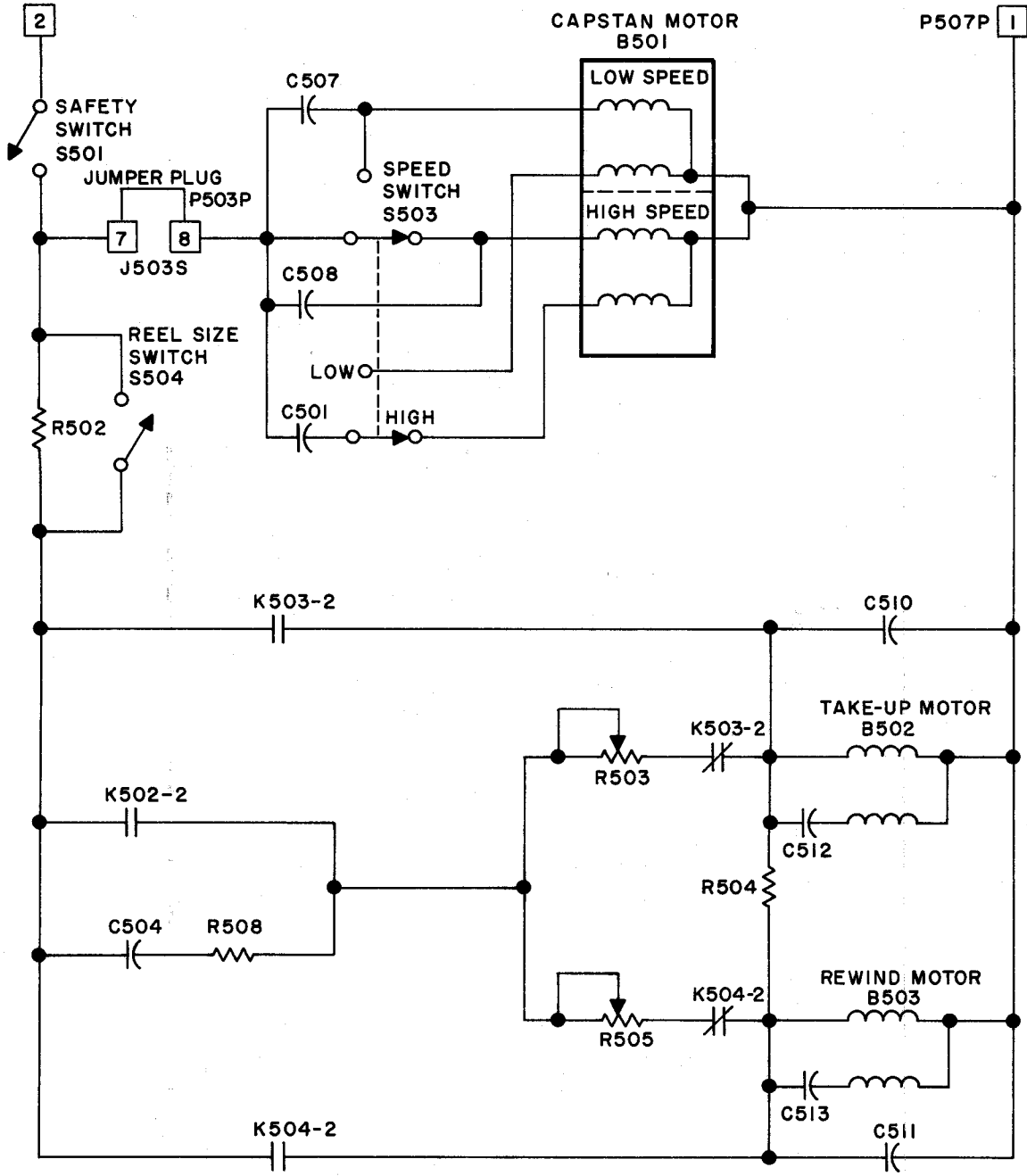


115V AC FROM  
ELECTRONICS  
ASSEMBLY  
P507P

NEUTRAL  
P507P



**RELAY CONTACTS**  
NORMALLY OPEN



NORMALLY CLOSED



**CAPACITORS**

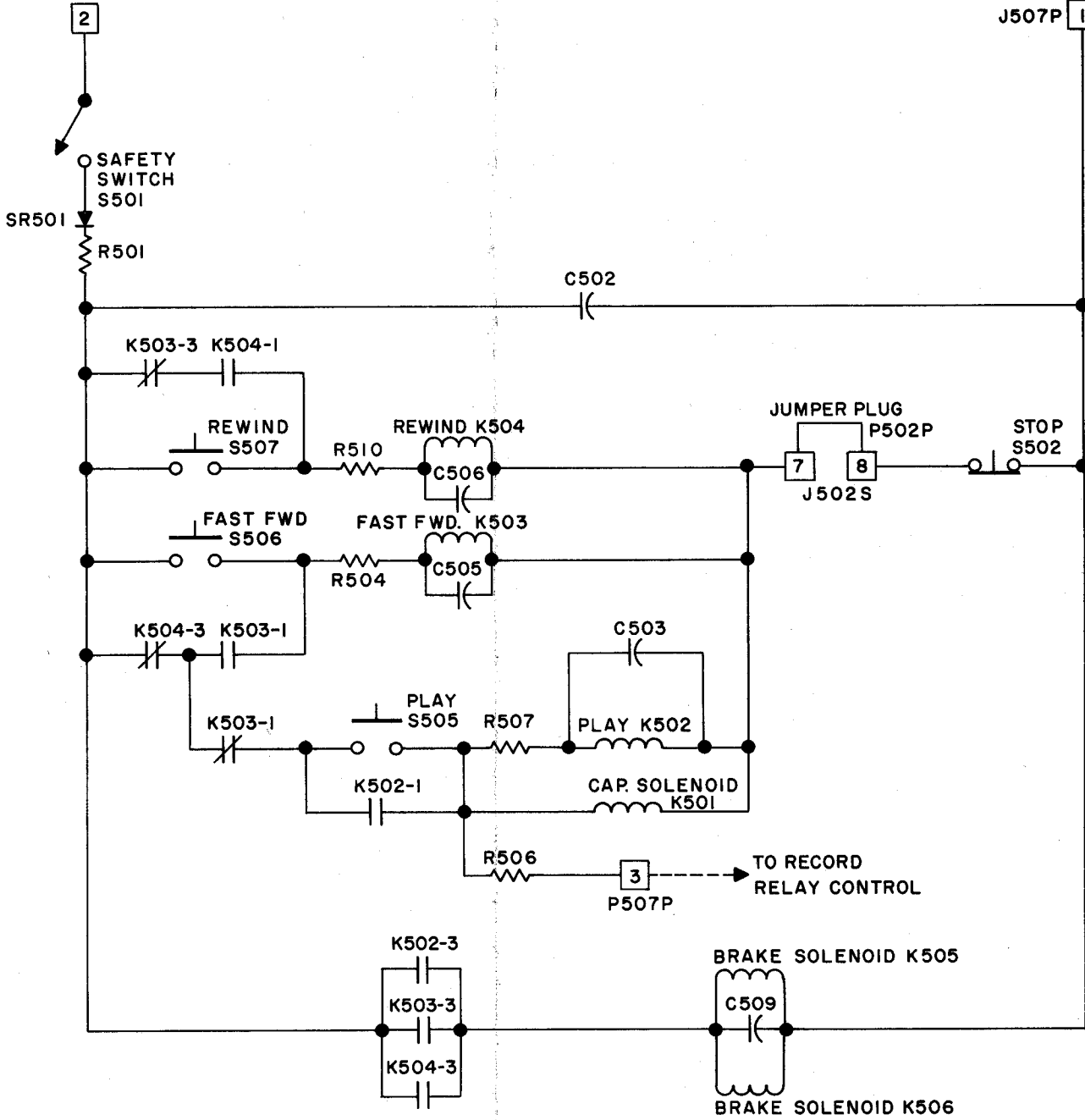


**A-C CONTROL CIRCUIT**

SIMPLIFIED CONTROL CIR

115V AC FROM  
ELECTRONICS  
ASSEMBLY  
P507P

NEUTRAL  
J507P 1



D-C CONTROL CIRCUIT